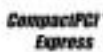


## *Four Port Gigabit PCI Adapter*

*OSS-IanPCI-4GC*



[www.onestopsystems.com](http://www.onestopsystems.com)

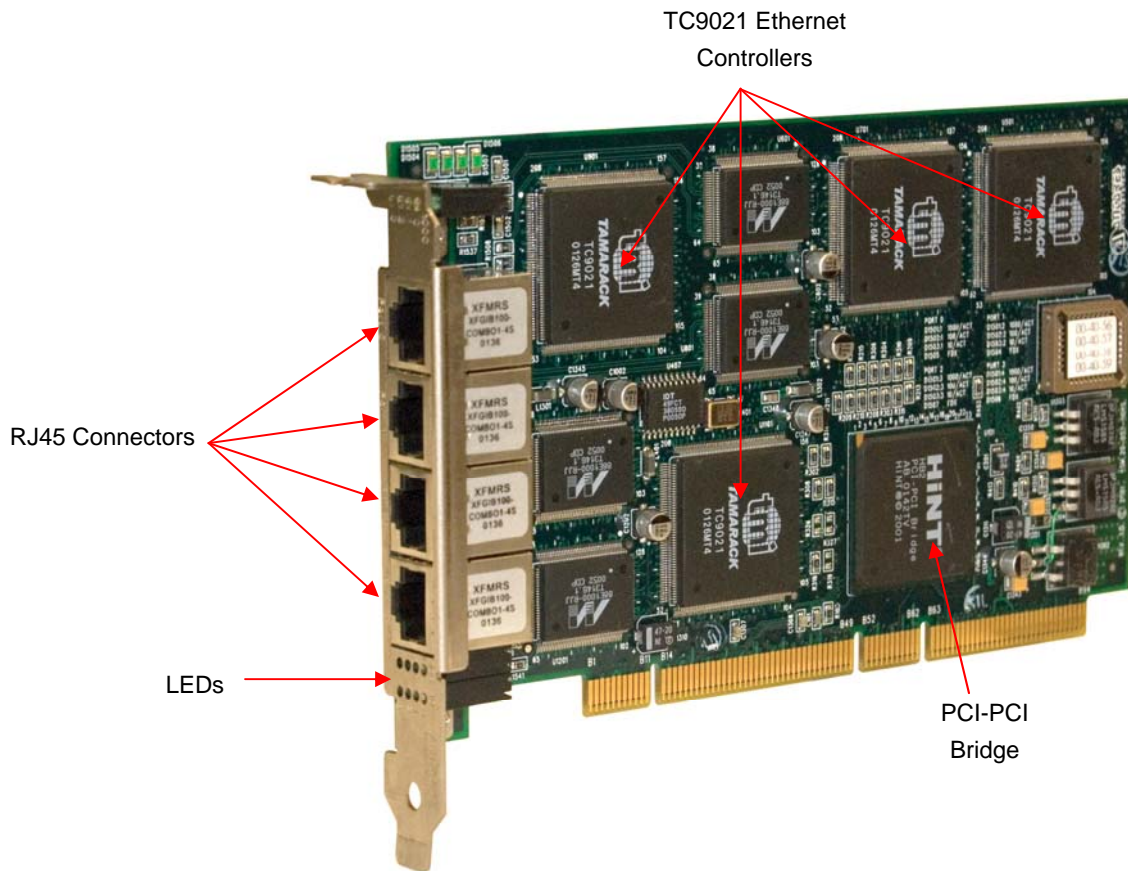
Phone 877-438-2724 • Fax 760-466-1678 • [sales@onestopsystems.com](mailto:sales@onestopsystems.com)

## Description

The OSS-lanPCI-4GC four port Gigabit Ethernet controller is designed to be a high-performance, low cost, LAN connectivity solution for any system or networking device utilizing the PCI standard bus architecture. The adapter is ideal for servers and workstations that require quad Gigabit Ethernet connectivity.

Independent MAC addresses are assigned to each controller channel, which provides support for Ethernet trunking across multiple connections.

Backpanel LEDs indicate full status including: 1000/100/10 megabit mode and full-duplex mode. Full-duplex capability provides simultaneous transmission and reception for maximum performance. The Gigabit Ethernet controllers on the OSS-lanPCI-4GC provide efficient DMA operation for optimal bus utilization. The adapter utilizes maximum PCI bandwidth in 32/64-bit and 33/66 MHz PCI buses.



## Initial Set-Up

### Unpacking Instructions

1. If the carton is damaged when you receive it, request that the carrier's agent be present when you unpack and inspect the equipment.
2. After unpacking, verify that all items listed in the packing list are present.
3. Inspect the equipment for shipping damage.
4. Save all packing material for storage or return shipment of the equipment.
5. For repairs or replacement of equipment damaged during shipment, contact One Stop Systems, Inc. to obtain a Return Materials Authorization (RMA) number and further shipping instructions.

## Installation and Removal

1. Power down the host system.
2. Open the chassis according to your system documentation.
3. Let the power supply cool down, if necessary.
4. Remove the OSS-IanPCI-4GC from the protective bag, observing proper ESD safety procedures.

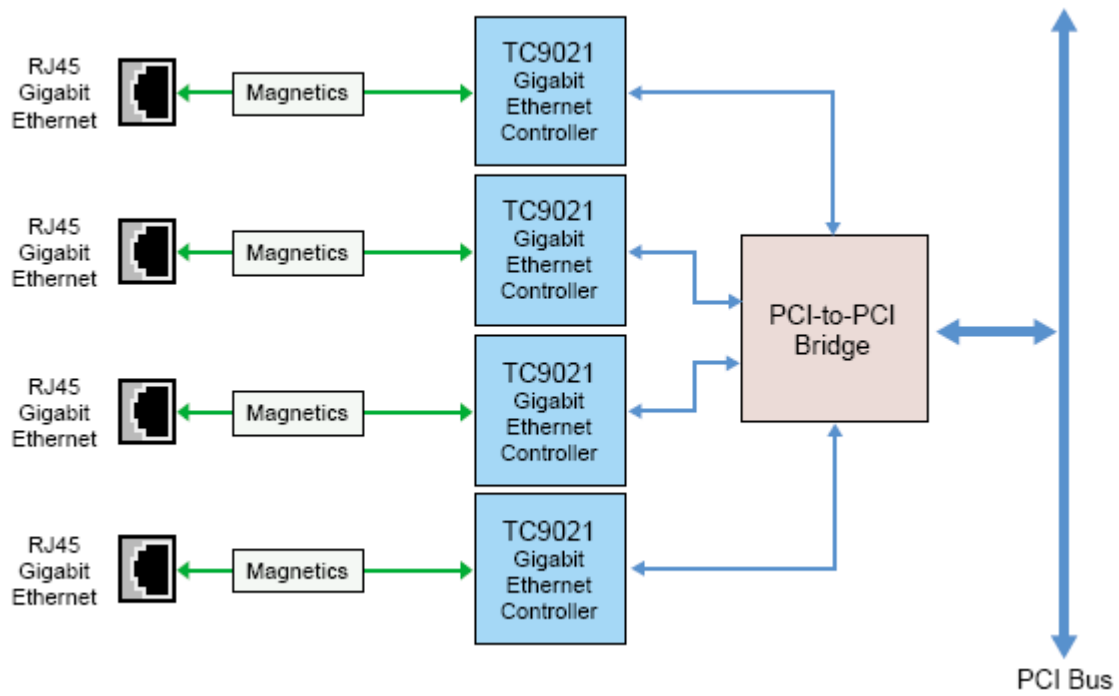
### Installing the OSS-IanPCI-4GC:

1. Insert the OSS-IanPCI-4GC an open 3.3V PCI slot. The adapter is a universal-keyed 64 bit board.
2. Make sure that the adapter is well seated and tighten the screw.
3. Close the chassis according to your system documentation
4. Attach the ethernet cables.
5. Turn on power to the computer. Adapter installation is complete.
6. Reverse the above procedure to remove the boardSpecifications

## Specifications

Electrical/Mechanical Specifications	
Form Factor:	32/64 bit, 33/66 MHz PCI interface (PCI Rev 2.2), 3.3V Signaling,
Dimensions (H x L):	4.205 inches x 6.875 inches (107 x 175mm)
Front Panel Connectors:	Four RJ45 connectors
Front Panel Indicators:	2 rows of 4 LEDs
Power Consumption (designed to meet the following conditions)	
	12.5W typical
Operating Environment (designed to meet the following conditions)	
Temperature Range:	-5° to 60°C (23° to 140°F)
Relative Humidity:	5 to 90% non-condensing
Shock:	30g acceleration peak (11ms pulse)
Vibration:	5-17 Hz 0.5" double amplitude displacement; 7-2000Hz, 1.5g acceleration.
Agency Compliance Designed to meet, but not tested	
	Pending

## Block Diagram



## LEDs

Front panel LEDs display connection speed, link and full duplex.