

## Four Port Gigabit PCI Adapter

OSS-lanAMC-4GC



One Stop Systems, Inc.  
Rev. A

2235 Enterprise Street, Suite 110  
Escondido, CA 92029  
Phone: (760) 745-9883  
Fax: (760) 745-9824  
[www.onestopsystems.com](http://www.onestopsystems.com)

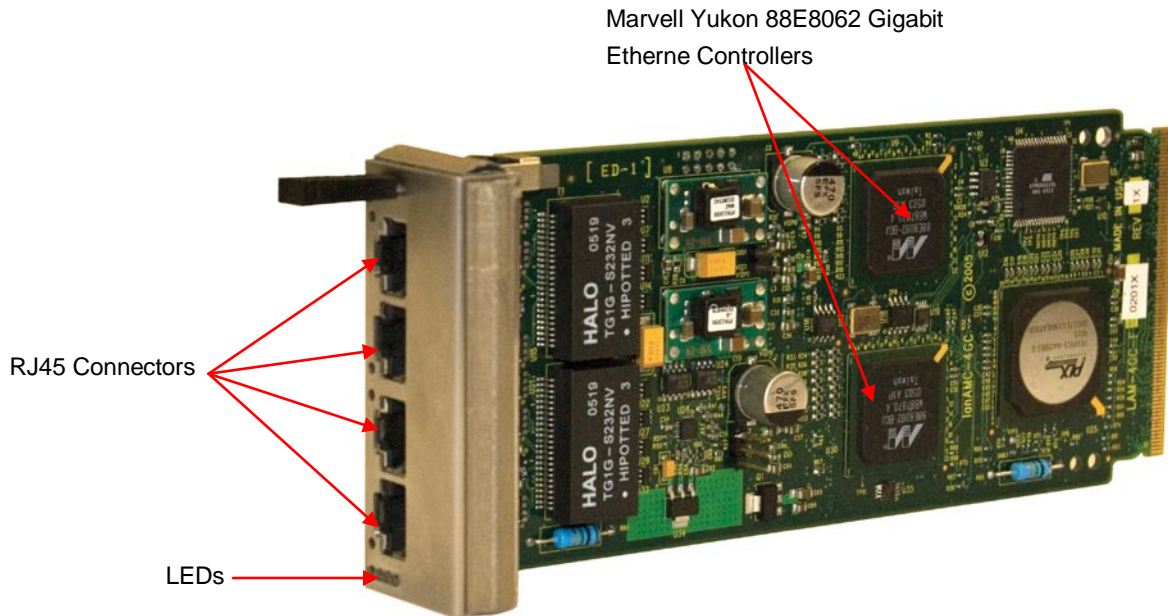


OSS-lanAMC-4GC User Manual

## Description

The lanAMC-4GC is a single-width, full height AdvancedMC (AMC) board with four Gigabit Ethernet copper ports for use in a wide variety of next generation and wireless networking equipment. Designed for high performance and reliability, the OSS-lanAMC-4GC is ideal for to add multiple 10/100/1000 Ethernet ports to AdvancedTCA (ATCA) or MicroTCA networking equipment.

The lanAMC-4GC module autonegotiates the PCI Express interface to the host carrier per the AMC.1 link interface specification. Up to an 8-lane PCI Express link width is supported.



## Initial Set-Up

### Unpacking Instructions

1. If the carton is damaged when you receive it, request that the carrier's agent be present when you unpack and inspect the equipment.
2. After unpacking, verify that all items listed in the packing list are present.
3. Inspect the equipment for shipping damage.
4. Save all packing material for storage or return shipment of the equipment.
5. For repairs or replacement of equipment damaged during shipment, contact One Stop Systems, Inc. to obtain a Return Materials Authorization (RMA) number and further shipping instructions.

## Installation and Removal

1. Power down the host system.
2. Let the power supply cool down, if necessary.
3. Remove the carrier board from the system. (For ATCA installations)
4. Remove the OSS-IanAMC-4GC from the protective bag, observing proper ESD safety procedures.

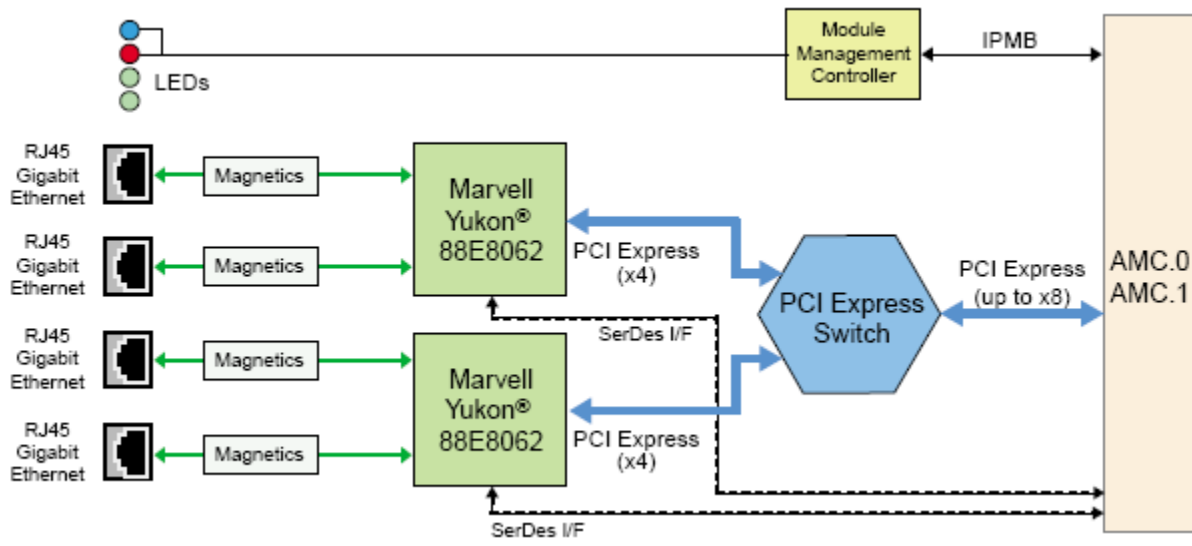
### Installing the OSS-IanAMC-4GC:

1. Remove any debris from the EMC shielding along the sides of the module.
2. Align the AMC module with the top and bottom card guides.
3. Slide the module all in the way firmly seating the connector.
4. Make sure that the AMC modules gaskets seal the surfaces that they touch
5. Attach the ethernet cables.
6. Turn on power to the computer. Module installation is complete.
7. Reverse the above procedure to remove the board

## Specifications

Electrical/Mechanical Specifications	
Form Factor:	AdvancedMC Single Width, full height
Dimensions (H x L):	6HP x 74mm
Front Panel Connectors:	Four RJ45 connectors
Front Panel Indicators:	4 Link and Activity LEDs
Power Consumption (designed to meet the following conditions)	
	6.4W max @12V
Operating Environment (designed to meet the following conditions)	
Temperature Range:	0° to 55°C (32° to 131°F)
Relative Humidity:	5 to 90% non-condensing
Shock:	30g acceleration peak (11ms pulse)
Vibration:	5-17 Hz 0.5" double amplitude displacement; 7-2000Hz, 1.5g acceleration.
Agency Compliance Designed to meet, but not tested	
	FCC Class B, UL 60950, CE Mark, CS-003

## Block Diagram



## LEDs

Front panel LEDs display connection link and activity.

## Limited Warranty

One Stop Systems warrants this product to be free of defects in material and workmanship for an initial period of two years from date of delivery to the original purchaser from One Stop Systems.

During this period, One Stop Systems will, at its option, repair or replace this product at no additional charge to the purchaser, except as set forth in this warranty agreement.

One Stop Systems will, at its option, repair or replace this product at no additional charge to the purchaser, if the defect is related to the One Stop Systems manufactured product, such as a power supply, backplane, other chassis components or CPUs. One Stop Systems is not liable for any defects in material or workmanship of any peripherals, products or parts, which One Stop Systems does not design or manufacture. However, One Stop Systems will honor the original manufacturer's warranty on these products. One Stop Systems will analyze the defective component and the customer will be charged in the following instances:

No problem found: \$75 (U.S. dollars).

Damage: Parts and labor at \$75 per hour with a \$100 minimum charge (U.S. dollars). Receipt of damaged goods voids the One Stop Systems warranty.

Repair parts and replacement products will be furnished on an exchange basis and will be either new or reconditioned. All replacement parts and products shall become the property of One Stop Systems, if such parts or products are provided under this warranty agreement. In the event a defect is not related to the One Stop Systems manufactured product, One Stop Systems shall repair or replace the defective parts at the purchaser's cost and deliver the defective parts to the purchaser.

This limited warranty shall not apply if the product has been misused, carelessly handled, defaced, modified or altered, or if unauthorized repairs have been attempted by others. The above warranty is the only warranty authorized by One Stop Systems and is in lieu of any implied warranties, including implied warranty of merchantability and fitness for a particular purpose. In no event will One Stop Systems be liable for any such damage as lost business, lost profits, lost savings, downtime or delay, labor, repair or material cost, injury to person or property or any similar or dissimilar consequential loss or damage incurred by the purchaser, even if One Stop Systems has been advised of the possibility of such losses or damages.

In order to obtain warranty service, the product must be delivered to the One Stop Systems facility, or to an authorized One Stop Systems service representative, with all included parts and accessories as originally shipped, along with the proof of purchase and a Returned Merchandise Authorization (RMA) number.

The RMA number is obtained, in advance, from One Stop Systems Customer Service Department and is valid for 30 days. The RMA number must be clearly marked on the exterior of the original shipping container or equivalent. Purchaser will be responsible and liable for any missing or damaged parts. Purchaser agrees to pay for shipping charges one way, and to either insure the product or assume the liability for loss or damage during transit. Ship to:

One Stop Systems

ATTENTION: RMA REPAIR DEPARTMENT

RMA #####

2235 Enterprise Street, Suite 110

Escondido, CA 92029

[www.onestopsystems.com](http://www.onestopsystems.com)

2235 Enterprise Street, Suite 110 • Escondido, CA 92029 • Tel (760) 745-9883 • Fax (760) 745-9824