



# PCIe x4 Host to ECA Kit

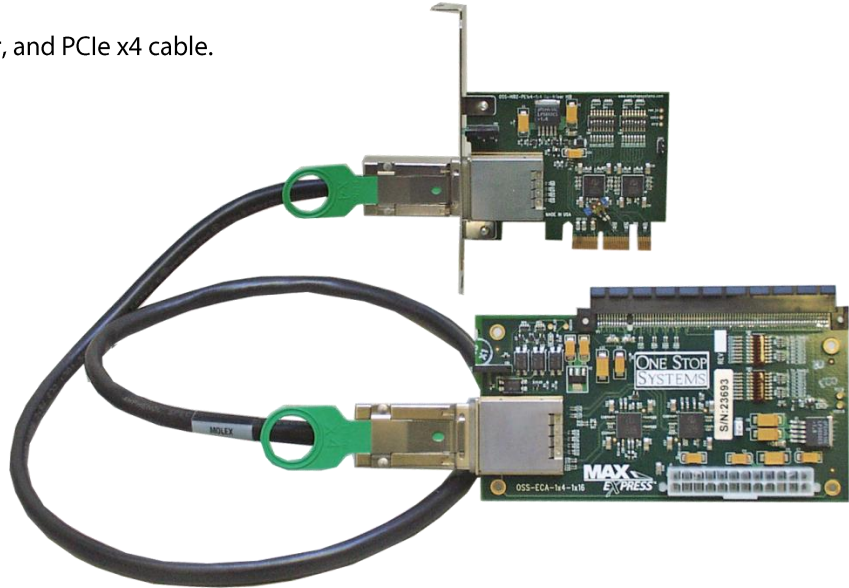
## Server to PCIe device

PCIe x4 host cable adapter, target expansion cable adapter, and PCIe x4 cable.

PN: OSS-KIT-EXP-2050

### Features

- The host adapter card inserts into a PCI Express slot on the host motherboard. The high speed cable allows data transfers to and from the host at 10GB/s.
- The target expansion cable adapter is a free-standing x4 adapter board with a x16 connector seamlessly connecting a downstream I/O device to the host computer without software.

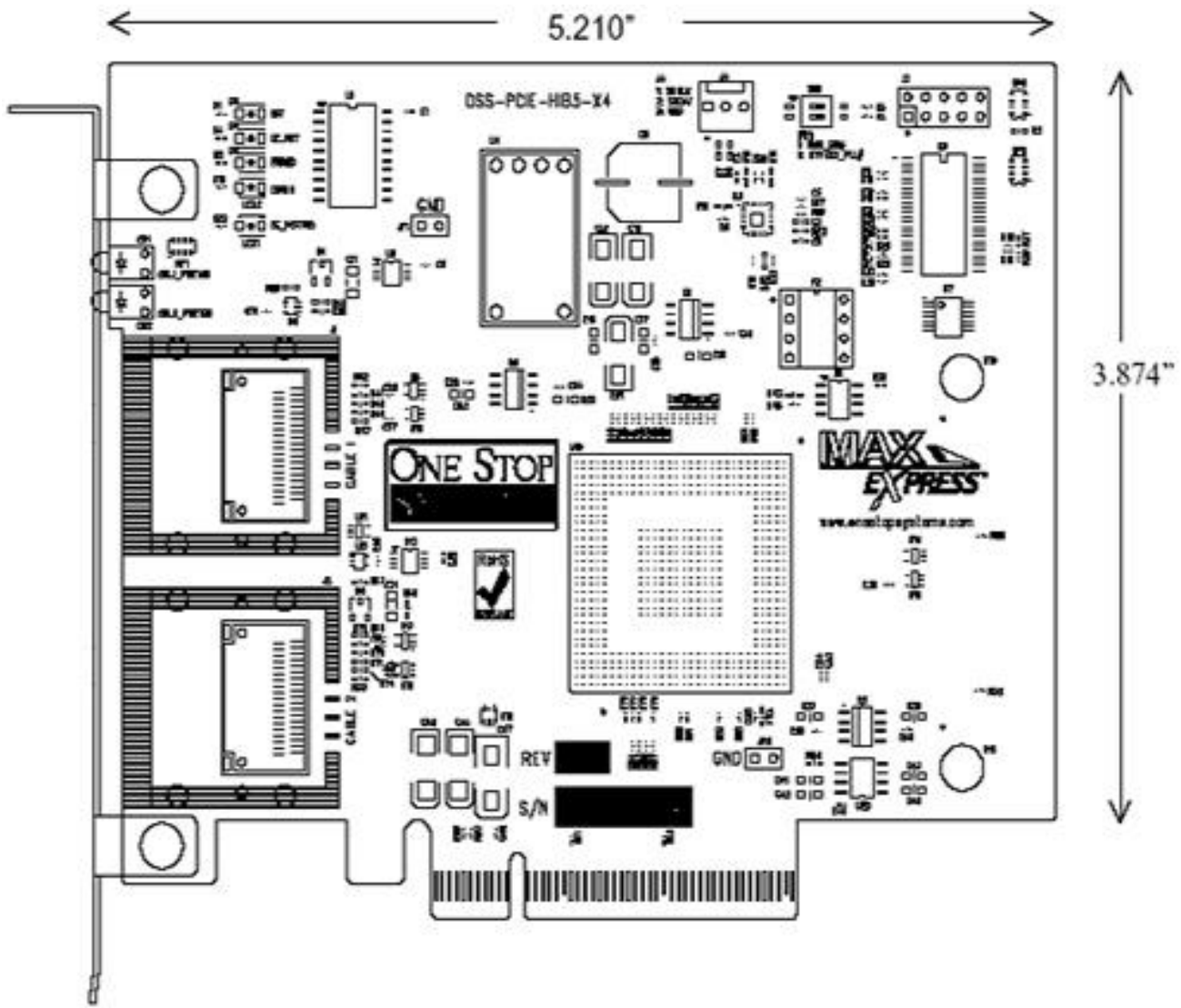


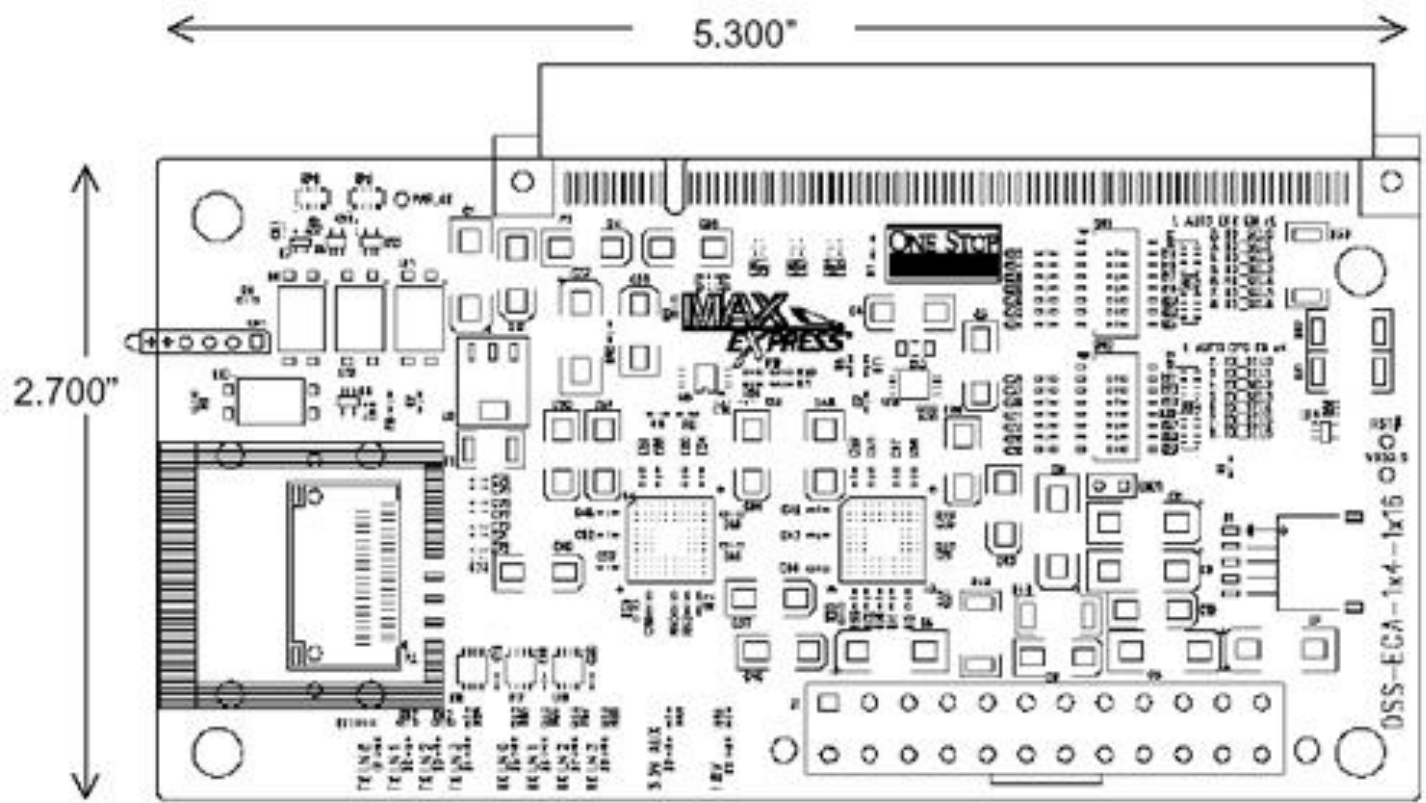
## Specifications

<b>PCIe x4 Host Cable Adapter</b>	
<b>Form Factor:</b>	x4 PCIe add-in card
<b>Dimensions (H x L):</b>	2.713 x 3.354" (68 x 86mm)
<b>Front Panel Connectors:</b>	One PCIe x4 cable connector
<b>Front Panel Indicators:</b>	Power On / Cable Present LEDs
<b>Re-driver:</b>	Pericom PI2EQX4402
<b>Temperature Range:</b>	0° to 50°C (32° to 122°F)
<b>Shock:</b>	10 to 90% non-condensing
<b>Vibration:</b>	5-17 Hz 0.5" double amplitude displacement; 7-2000Hz, 1.5g acceleration
<b>Power Consumption:</b>	3.75W typical, 3.3@1.3A
<b>Agency Compliance:</b>	FCC Class B CE RoHS

<b>PCIe x4 Target Expansion Cable Adapter</b>	
Temperature:	0° to 50°C (32° to 122°F) ambient. Short-term (30 mins) operating temp: -5°C to 55°C ambient. Storage temp: -40°C to 70°C.
Operating Humidity:	10-90% @ 40°C (non-condensing).
Storage Humidity:	0-95% @ 40°C (non-condensing).
Operating Altitude:	6000 ft. at operating temperature, 15,000 ft. at derated temperature.
Storage Altitude:	40,000 ft.
Vibration/Shock:	5-17 Hz 0.5" double amplitude displacement; 7-2000Hz, 1.5g acceleration
Storage:	2g @ 5-500 Hz.
Operating Shock:	20g @ 11 msec.
Storage/Transport Shock:	30g @ 11 msec.
Agency/Compliances:	FCC Class B CE RoHS

### Dimensional Drawings





TOP ASSEMBLY