

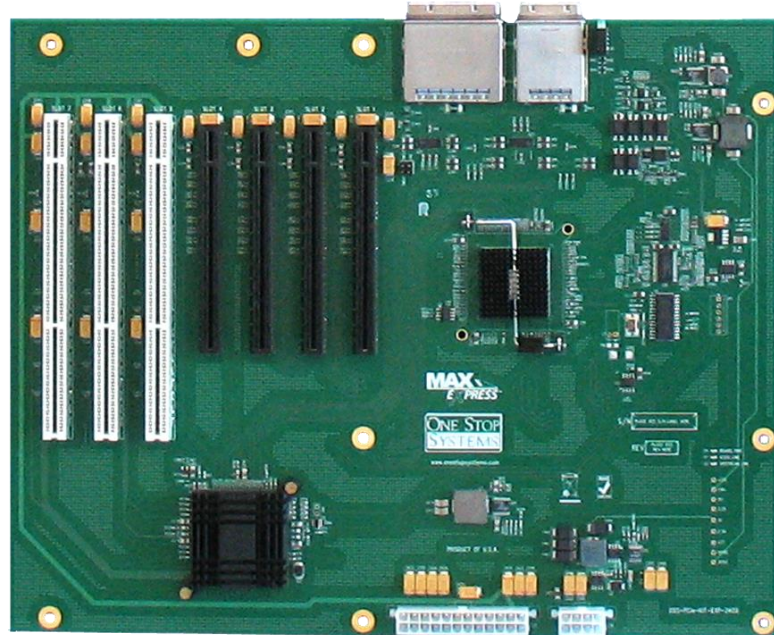
# PCIe Gen 2 Expansion Backplane (2020)

PCIe Gen 2 expansion backplane with four PCIe x8 slots, three PCI-X slots, and PCIe x4 and x8 cable connectors.

PN: OSS-PCIe-ATX-BP-2020

## Features

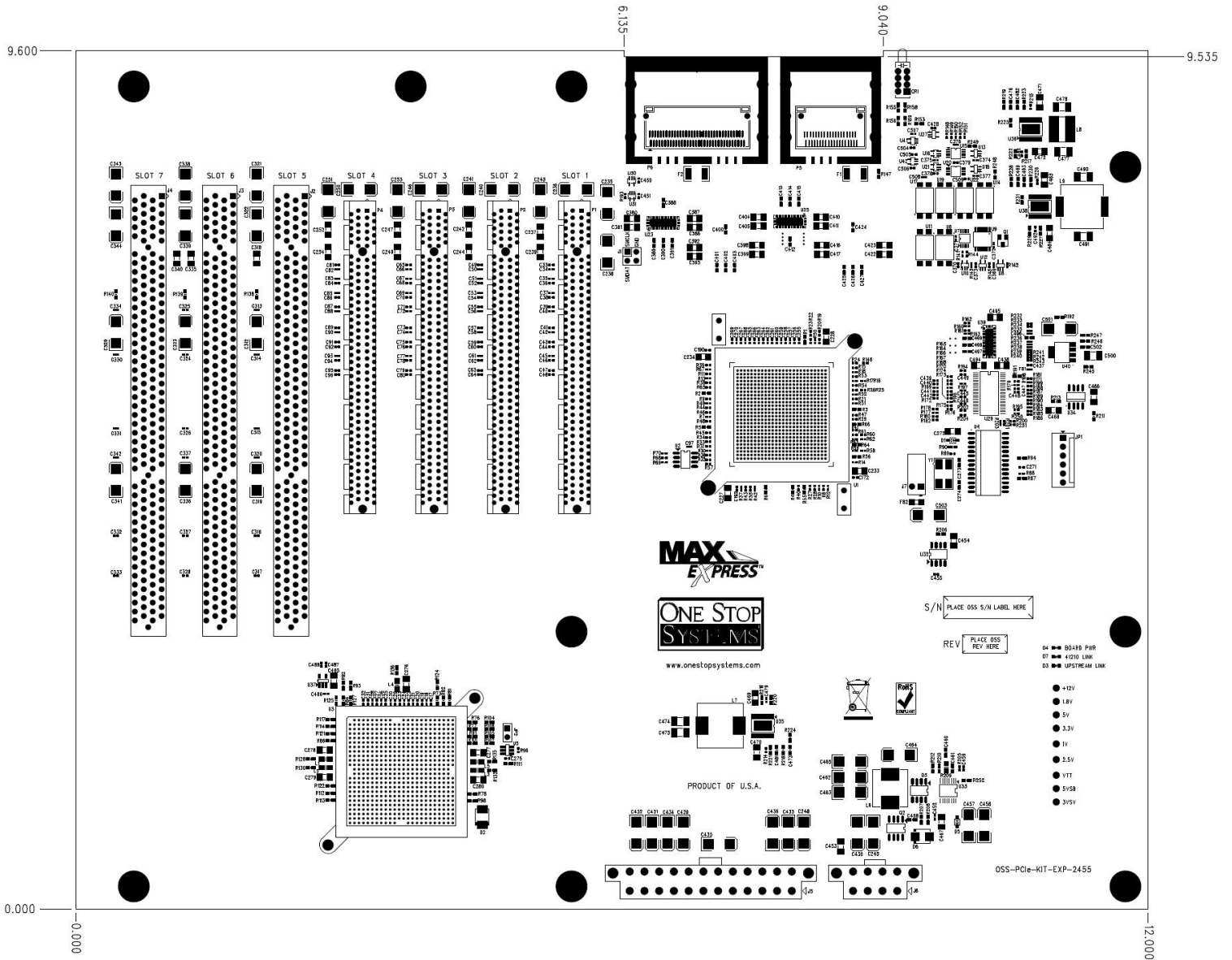
- ATX-form factor provides dual PCIe cable inputs in x4 or x8.
- Includes four PCIe x8 slots and three PCI-X slots.



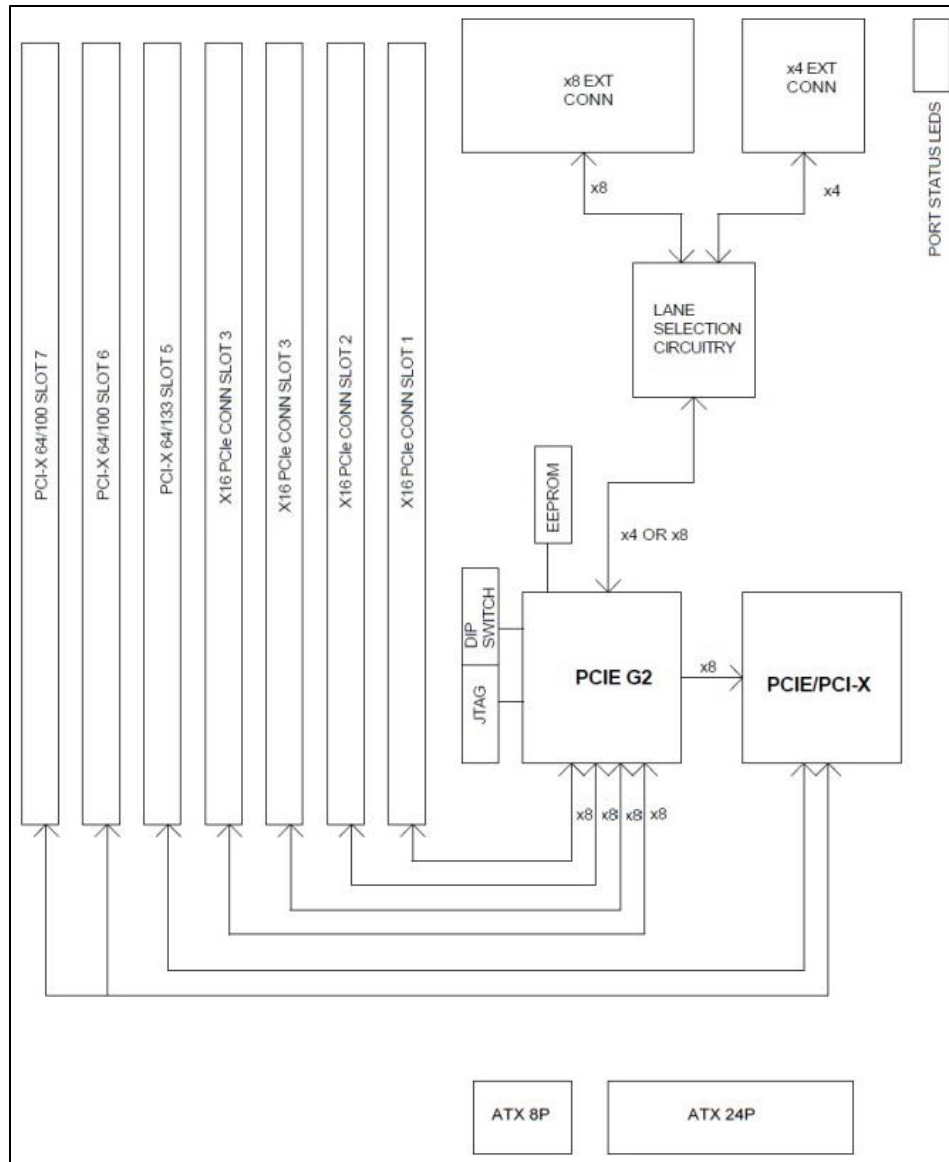
## Specifications

Dimensions:	9.6" x 12"
Power:	24-pin mini ATX connector, 8-pin mini ATX
PCIe Slots:	Four PCIe x8 slots with x16 connectors
PCI-X Slots:	Two 64/100MHz PCI-X slots, One 64/133MHz PCI-X slot
On-board Regulated Voltages:	1V, 1.5V, 1.8V, 3.3AUX
On Board LEDs:	4 panel-mount LEDs, 3 surface-mount LEDs
PCIe Switch:	PEX 8648
Cable Connectors:	PCIe x4, PCIe x8

## Dimensional Drawing



## Block Diagram



## Connector Pin-Outs

Connector	Definition
J1	I2C Interface
J5, J6	Input Power

J1 – I2C Interface Connector (3M P/N; 929710-10-02-RK)

Pin	Definition	Pin	Definition
1	SMCLK	2	GND
3	SMDAT	4	NC

J6 – Input Power (Molex P/N: 39-29-9082)

Pin	Definition	Pin	Definition
1	GND	5	+12V
2	GND	6	+12V
3	GND	7	+12V
4	GND	8	+12V

J3, J5 – Input Power (Molex P/N: 39-29-9242)

Pin	Definition	Pin	Definition
1	+3.3V	13	+3.3V
2	+3.3V	14	-12V
3	GND	15	GND
4	+5V	16	PS_ON#
5	GND	17	GND
6	+5V	18	GND
7	GND	19	GND
8	PWRON	20	NC
9	+5VSB	21	+5V
10	+12V1	22	+5V
11	+12V1	23	+5V
12	+3.3V	24	GND