

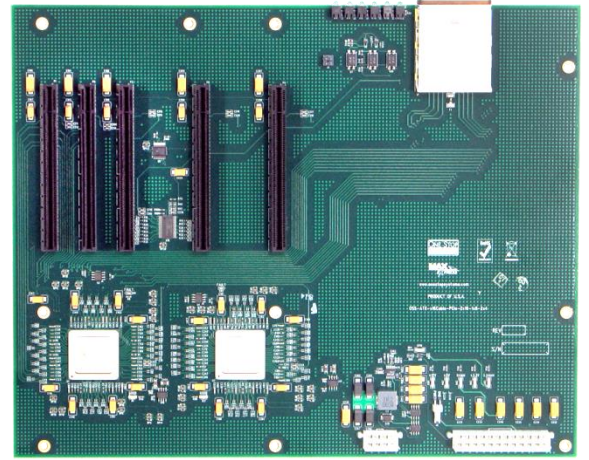
# PCIe x16 Gen 2 Expansion Backplane (2023)

ATX size expansion backplane with 2 PCIe x16 Gen 2 slots, one PCIe x8 Gen2 slot, two PCIe x4 Gen 2 slots, and one PCIe x16 cable connector.

PN: OSS-PCIE-ATX-BP-2023

## Features

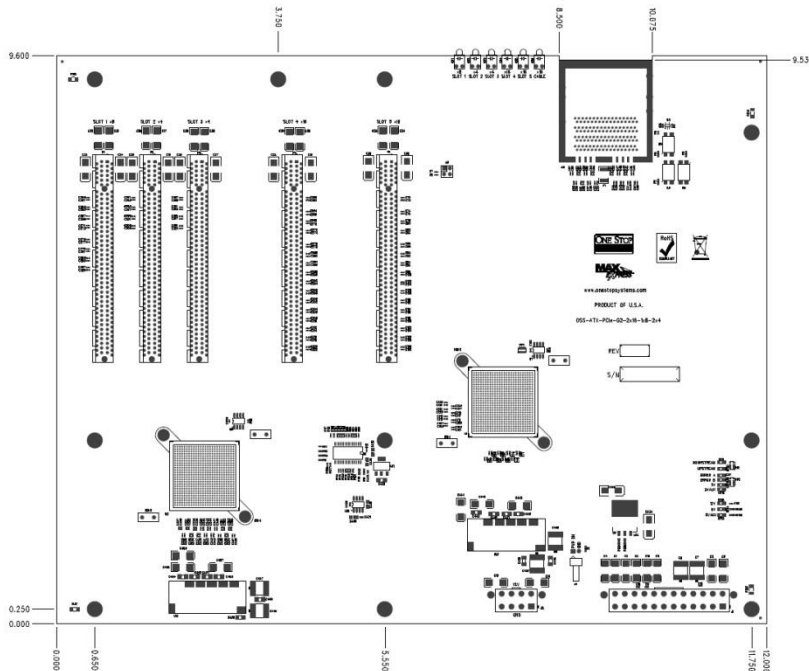
- ATX form factor
- PCIe x16 cable connector
- 5 PCIe slots



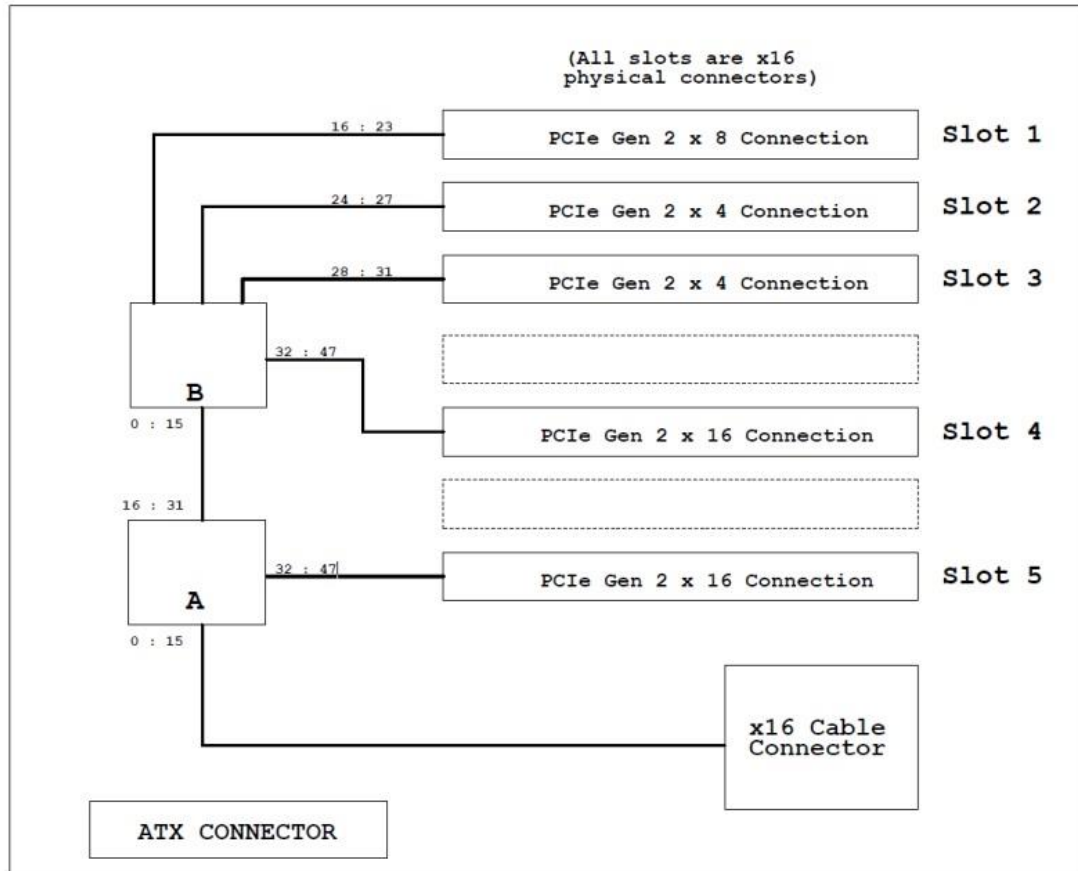
## Specifications

<b>Dimensions:</b>	9.6" x 12"
<b>PCIe Slots:</b>	2 PCIe x16 slots 1 PCIe x8 slot (with x16 connector) 2 PCIe x4 slot (with x16 connectors)
<b>Power:</b>	24-Pin ATX Connector 12-Pin Aux ATX Connector
<b>On-board Regulated Voltages:</b>	1V 1.5V 1.8V 3.3AUX
<b>Front Panel LEDs:</b>	Power LED indicator
<b>PCIe Switch:</b>	PLX PEX8533
<b>Cable Connector:</b>	One PCIe x16 connector

## Dimensional Drawing



## Block Diagram



## Connector Pin-Outs

Connector	Definition
J1	Input Power
J2	12V Power
J4	Force Power On
J5	I2C Interface
J3A, J3B	x16 PCIe Cable

J2 – 12V Input Power (Molex P/N: 44206-0003)

Pin	Definition	Pin	Definition
1	GND	5	+12V
2	GND	6	+12V
3	GND	7	+12V
4	GND	8	+12V

J4 – Force Power On (Molex P/N: 22-05-3021)

Pin	Definition
1	PWR_ON#
2	GND

J1 – ATX Input Power (Molex P/N: 44206-0001)

Pin	Definition	Pin	Definition
1	+3.3V	13	+3.3V
2	+3.3V	14	-12V
3	GND	15	GND
4	+5V	16	PS_ON#
5	GND	17	GND
6	+5V	18	GND
7	GND	19	GND
8	PWRON	20	NC
9	+5VSB	21	+5V
10	+12V1	22	+5V
11	+12V1	23	+5V
12	+3.3V	24	GND

J5 – I2C Interface Connector (3M P/N: 929710-10-02-RK)

Pin	Definition	Pin	Definition
1	SMCLK	2	GND
3	SMDAT	4	NC