

Expansion Backplane, 1 PCIe x16 slot (427)

Requires an OSS target adapter card in the host interface card slot. Cable and adapter card sold separately.

PN: OSS-BP-427

Features

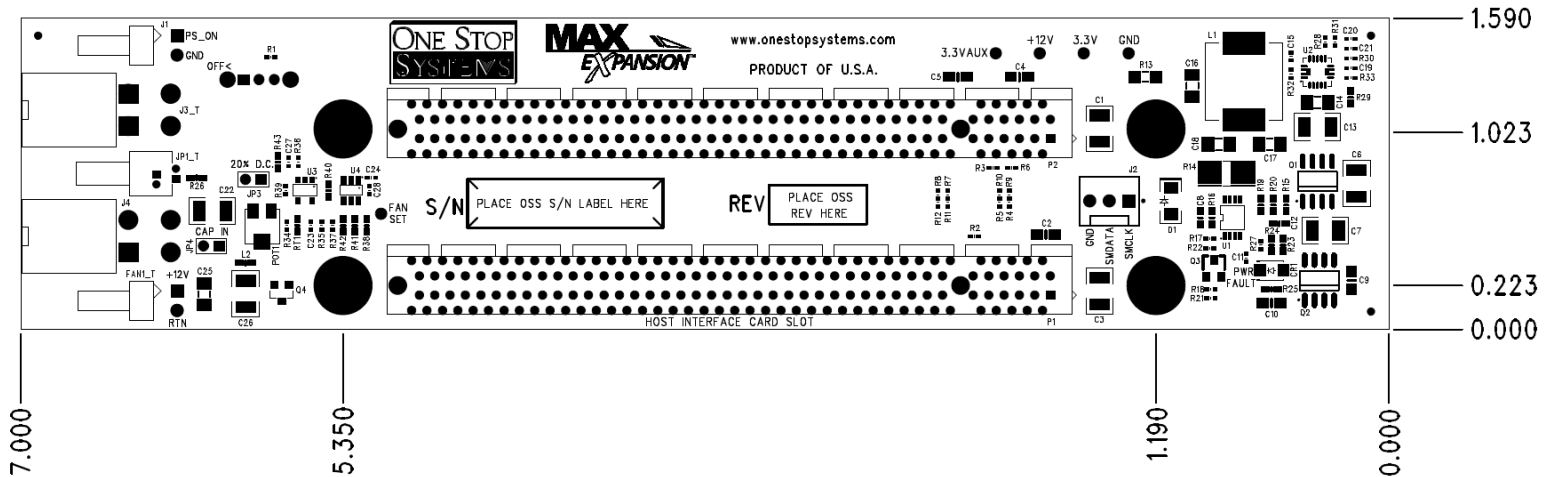
- One OSS PCIe x16 3.0 target slot for OSS target cable adapter
- One PCIe x16 3.0 expansion slot (x16 mechanical)
- 12 VDC Input
- Thunderbolt power connector
- Fan speed controller



Specifications

Dimensions (H x L):	1.59" x 7.0"
Power:	12 VDC
Slots:	1 OSS target slot (for OSS target cable adapter only) 1 PCIe x16 3.0 electrical; x16 mechanical slot

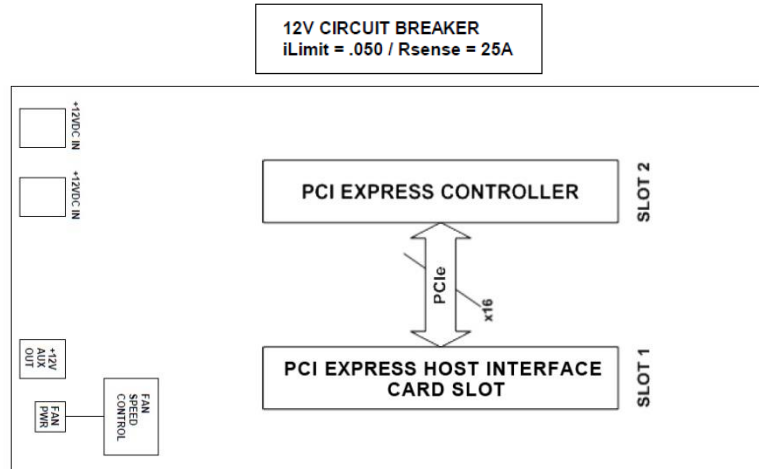
Dimensional Drawing



NOTE: The 427 backplane allows variable speed control on the FAN1 connector using a thermocouple controlled circuit optimized for thermals of the OSS CUBE™ family of products. OEMs should use the other fan connectors (FAN2 & FAN3) for standard 12V power and ground connections.

NOTE: The power ON connector is only used in Thunderbolt cable configurations. Forcing the power ON in PCIe configurations using the header connector on the backplane may cause the expansion backplane to not enumerate properly with the host system.

Block Diagram



Connector Pin-Outs

Connector	Definition
J1	Force Power On
J3_T, J3_B	12V Input Power
J4	Aux Target Power
JP4	Fan Speed Control
JP1_B, JP1_T	Power Standby LED

J1 – Force Power On (Molex P/N: 22-05-3021)

Pin	Definition
1	CE_PWR_ON#
2	GND

J3_T – 12V Input Power (Molex P/N; 0366330020)

Pin	Definition	Pin	Definition
1	GND1	3	+12V1
2	GND2	4	+12V2

J4 – Aux Target Power (Molex P/N; 0366330020)

Pin	Definition	Pin	Definition
3	+12V1	1	GND1
4	+12V1	2	GND2

J3_B – 12V Input Power (Molex P/N; 39-29-6048)

Pin	Definition	Pin	Definition
1	GND1	3	+12V1
2	GND2	4	+12V2

JP1_B, JP1_T – Power Standby LED (Samtec P/N; TFM-102-01-L-S-RA)

Pin	Definition
1	+3.3VAUX
2	GND

FAN1_B, – Fan Speed Control (Molex P/N: 22-23-2021)

FAN1_T – Fan Speed Control (Molex P/N: 22-05-3021)

Pin	Definition
1	+12V
2	FAN_RTN

NOTE: Fan 1_T and Fan1_B are temperature controlled.