

Expansion Backplane, 1 PCIe x8 slot (440)

Requires an OSS target adapter card in the host interface card slot. Cable and adapter card sold separately.

PN: OSS-BP-440

Features

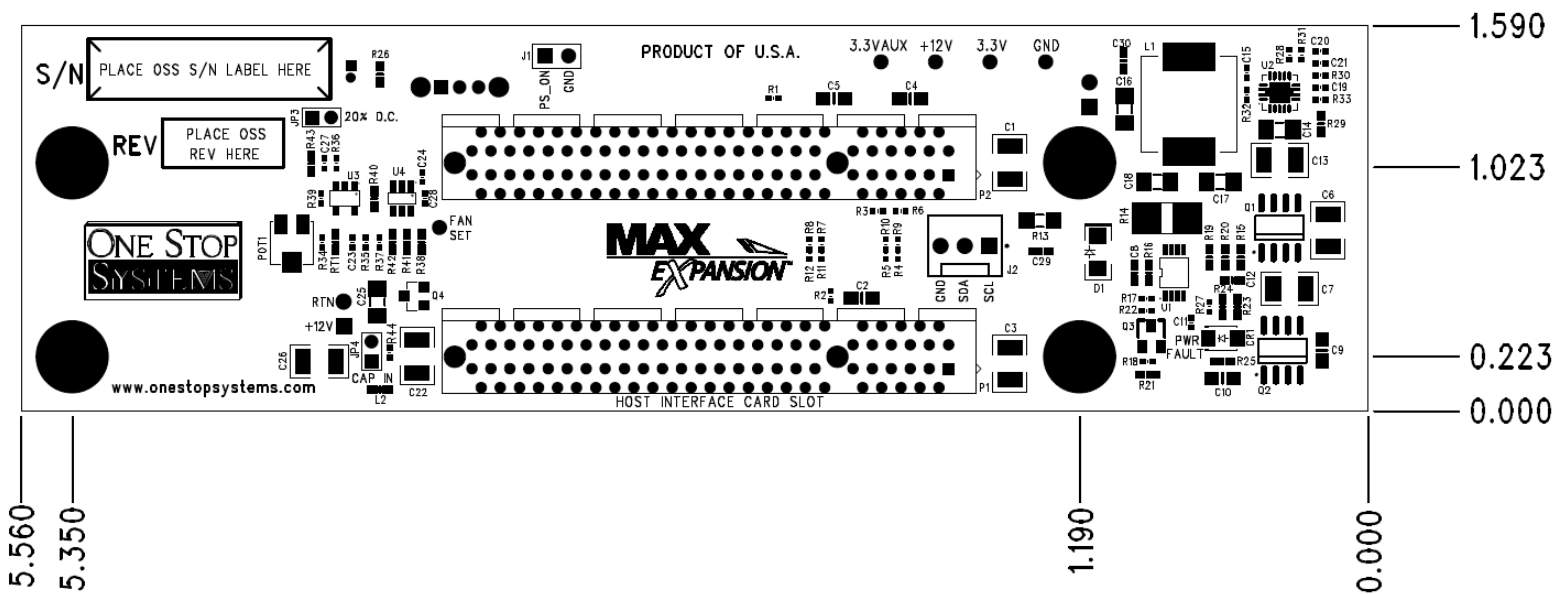
- One OSS PCIe x8 3.0 target slot for OSS target cable adapter
- One PCIe x8 3.0 expansion slot
- 12VDC Input
- Thunderbolt power connector
- Fan speed controller



Specifications

Dimension (H x L):	1.59" x 5.56"
Power:	12VDC
Slots:	1 OSS target slot (for OSS target cable adapter only) 1 PCIe x8 3.0

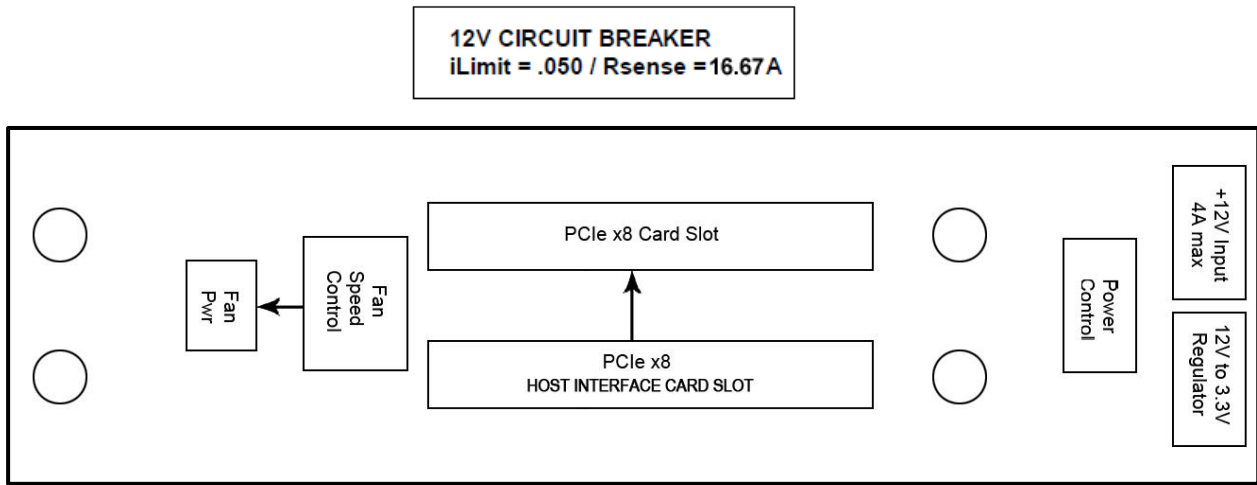
Dimensional Drawing



NOTE: The 440 backplane allows variable speed control on the FAN1 connector using a thermocouple controlled circuit optimized for thermals of the OSS CUBE™ family of products. OEMs should use the other fan connectors (FAN2 & FAN3) for standard 12V power and ground connections.

NOTE: The Power On connector is not used in OSS CUBE configurations as the power to the CUBE is controlled by the PCIe Cable Power-on signal per the PCI-SIG specification. Forcing the power on using the header connector on the backplane may cause the expansion backplane to not enumerate properly with the host system.

Block Diagram



Connector Pin-Outs

Connector	Definition
J1	Force Power On
J3	12V Input Power
JP1	Power Standby LED
JP4	Fan Speed Control

J1 – Force Power On (Berg P/N: 86506-402HLF)

Pin	Definition
1	PWR_ON#
2	GND

JP1 – Power Standby LED (Samtec P/N; TFM-102-01-L-S-RA)

Pin	Definition
1	+3.3VAUX
2	GND

J3 – 12V Input Power (AVX P/N: 06035C103KAT2A)

Pin	Definition
1	+12V_IN
2	GND

FAN1 – Fan Speed Control (Molex P/N: 22-05-3021)

Pin	Definition
1	12V_FAN
2	FAN_RTN

NOTE: Fan 1 is Temperature Controlled.